

**Prizelawn® CBR IV
COMMERCIAL BROADCAST SPREADER**

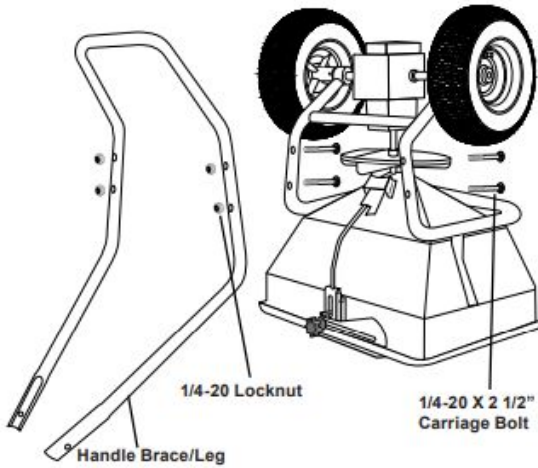
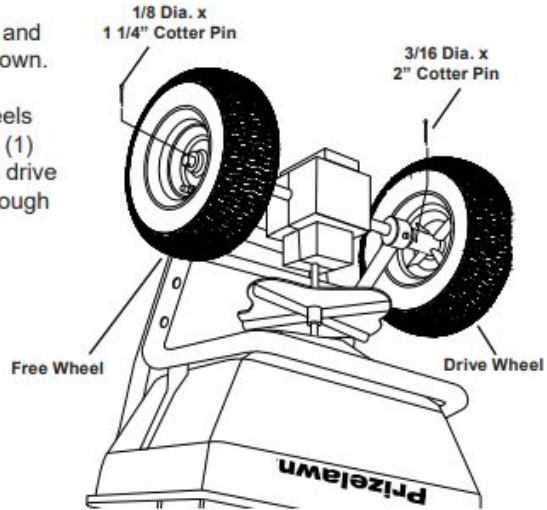
**Model CBR IV
Model CBR IVSS**



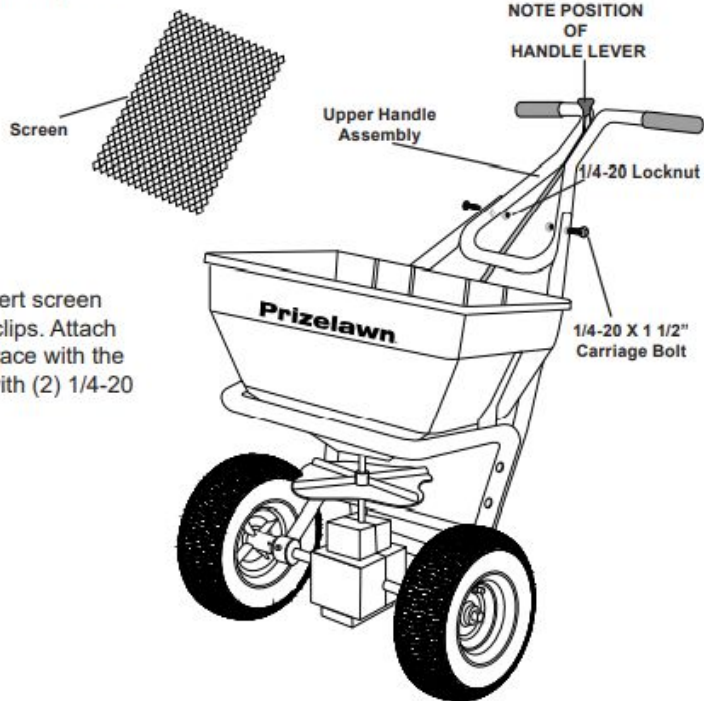
Owner's Manual

ASSEMBLY INSTRUCTIONS

1. Remove the spreader and components from carton and place hopper up-side down on a padded surface as shown. Slide drive and free wheel onto axle as shown with the longer portion of wheel hub facing the frame. Both wheels are identical to ease assembly. Secure free wheel with (1) 1/8 dia. x 1 1/4" cotter pin through the axle only. Attach drive wheel to axle with (1) 3/16 dia. x 2" cotter pin going through the wheel hub and the axle.



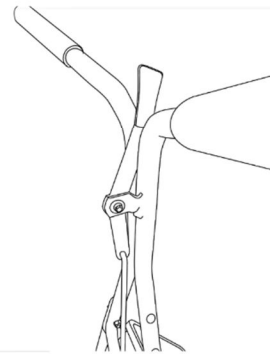
2. Attach leg/brace to frame as shown using (4) 1/4-20 x 2 1/4" carriage bolts and locknuts.



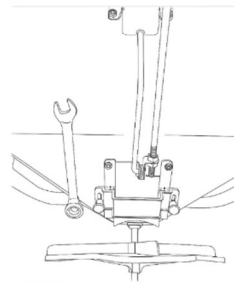
3. Turn spreader upright on wheels. Insert screen into hopper sliding it under the screen clips. Attach the upper handle assembly to handle brace with the handle lever facing as shown. Secure with (2) 1/4-20 x 1 1/2" carriage bolts, and locknuts.

ASSEMBLY INSTRUCTIONS

4. Install control lever to handle lever with a 1/4 dia. clevis pin. Install (1) 5/16 Hex nut to the control rod. Install all 3 friction washers on the spring housing rod, place the L Bracket on the end of the spring housing rod and secure it with the 3/32" cotter pin. Slide the end of the control rod through the L bracket making sure there is no tension between the hex nut and the L bracket.



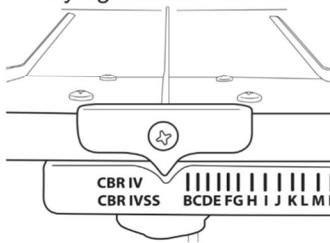
5. With the lever in the closed position install the second 5/16 Hex Nut on the control rod. Tighten both nuts against the L Bracket. Follow the Calibration instructions on the next page.



CALIBRATION INSTRUCTIONS

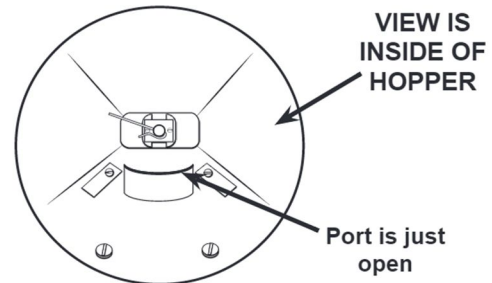
The **Prizelawn® CBR IV/CBR IVSS** was factory calibrated, however calibration should be checked occasionally to assure optimum performance.

1. Pull the on/off lever to the "OFF" position. Set the rate control plate past the setting "B". Then fully tighten the Hex nuts on the L Bracket.



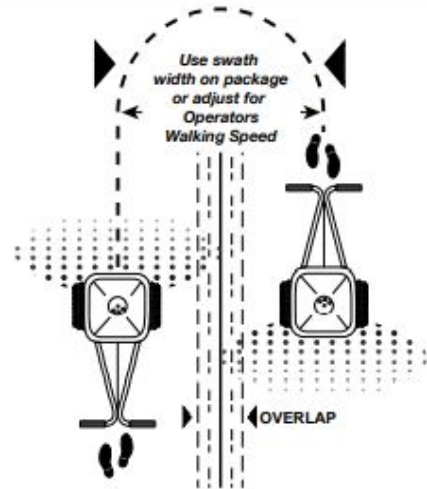
2. Move the rate control plate to the B position. Flip on/off control lever to the "ON" position. Check the port opening. It should be just open.

3. The Pointer will be aligned with the center line in the hopper. As shown in the first image.



OPERATION

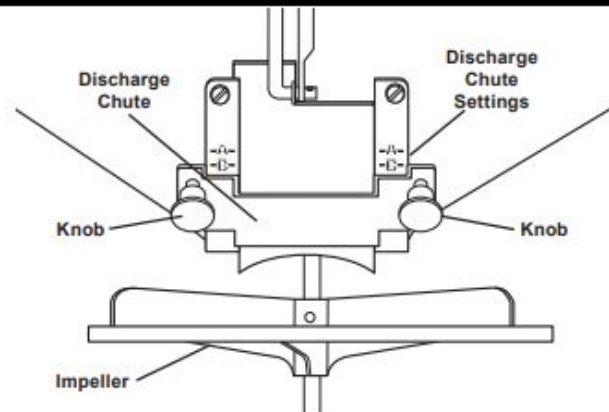
1. Check the product package for the rate setting, and recommended swath width. Loosen rate control knob and slide rate plate to the proper setting. The pattern is controlled by loosening the two knobs on the discharge chute and moving the chute closer or farther away from the impeller (setting A, B, or C). See **"PATTERN ADJUSTMENT"** for details on the following page.
2. Always fill the spreader on the driveway or sidewalk not on the lawn. Make sure screen is in hopper and spreader is in the **"OFF"** position.
3. Start spreader moving before opening port. Close before stopping. Always push spreader, never pull.
4. Hold handle so top of spreader is level. Tipping the spreader too far can cause uneven spreading.
5. The settings and swath widths on the product label are recommended starting points. Always check the delivery rate and pattern on a small area before treating a large area. Actual delivery rate can vary due to weather conditions, operating variables, and condition of the product being applied. See **"HOW TO DETERMINE SPREADER SETTINGS AND SPREAD WIDTH"** for details.



6. Push spreader at a normal walking speed 2 1/2 m.p.h. (18 feet in 5 seconds). Apply header strips around area to be treated. Space trips across the area as shown. Keep material off flower beds, sidewalks, etc.
7. When transporting spreader, make sure that it is in the **"OFF"** position.
8. Empty spreader after each use. Return leftover material to its original container.

PATTERN ADJUSTMENT

Normal spreading of materials requires no adjustment (factory setting "A") unless stated on the package. In those cases where the spread pattern has shifted, the pattern can be adjusted left and right by loosening the two knobs on the discharge chute and moving the chute closer or farther away from the impeller. Settings of "A, B, and C" are provided as reference.



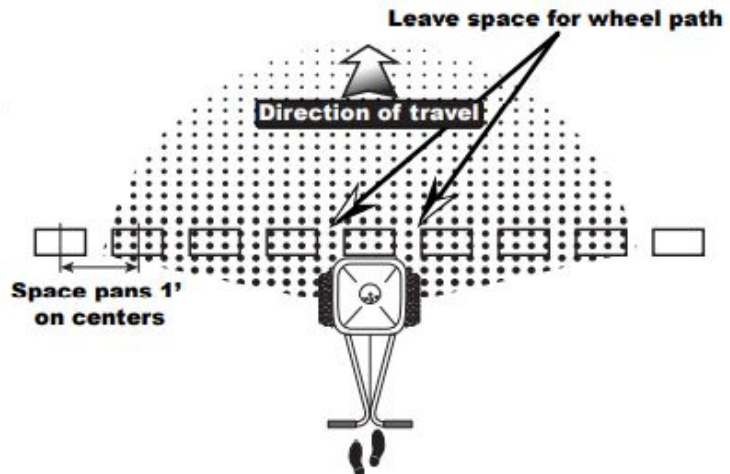
HOW TO DETERMINE SPREADER SETTINGS AND SPREAD WIDTH

Two major factors should be considered when determining correct spreader settings of any product:

1. The product application rate, or the amount of material applied per 1,000 square feet.
2. The effective pattern width, or the actual width in which material is applied. Label settings are a guide and can be affected by numerous factors.

EFFECTIVE PATTERN WIDTH

A simple visual pattern test can be made by operating the spreader over a non-turf area and evaluating the pattern. A more accurate method is to place a row of common, disposable, aluminum cake pans approximately 1 foot on centers. Set the rate plate at a middle setting and make 3 or 4 passes in the same direction as shown. Pour the material collected from each pan into individual bottles of the same size. Set them side by side in order, and visually inspect their volume. If the pattern is not centered (example: volume in bottle #2 left not equal to bottle #2 right), adjust the discharge chute up or down as described in **"PATTERN ADJUSTMENT"** section above.



Once the pattern is uniform, the effective pattern width can be determined. The effective pattern width is the distance out from the spreader to a point where the amount of material is 1/2 the average amount in the center pans. This distance is multiplied by 2 to achieve the total effective pattern width.

WARRANTY

Prizelawn® warrants to Purchaser the following:

1. Product will be free of defects in materials and workmanship for a period of one year from date of purchase.
2. PRIZELAWN will decide in its reasonable discretion if the part(s)/unit is defective.
3. The spreader or part(s) will be shipped to PRIZELAWN at the customer expense with a written description of defect to the attention of PRIZELAWN WARRANTY DEPARTMENT.
4. If the spreader is used for commercial rental the Limited Warranty shall be limited to a period of 90 days.
5. All Unit and part replacement will be performed at the reasonable discretion of PRIZELAWN.
6. Labor charges are not covered and the unit need not be returned to the dealer for warranty service.
7. Proof of purchase must be supplied to PRIZELAWN.

PRIZELAWN's sole obligation under this warranty is limited to repairing or replacing the defective part. Upon replacement of any Product or Product part, the replaced item shall become the property of PRIZELAWN. If PRIZELAWN determines that the Product covered by this warranty requires service, PRIZELAWN shall prepay return shipping charges from PRIZELAWN. In all other instances, such charges shall be paid by Purchaser. Except for loss or damage caused by PRIZELAWN's negligence, Purchaser relieves PRIZELAWN of responsibility for all risks of loss or damage to the Product and its parts during the period the products are in transit to and from PRIZELAWN.

This warranty does not extend to any Product or parts thereof that have been allowed to corrode, subjected to misuse, neglect, accident, or modification by anyone other than PRIZELAWN or that have been affixed to any nonstandard accessory attachment or that have been used, stored, installed, maintained or operated in violation of PRIZELAWN's instructions or standard industry practice. No agent, employee or representative of PRIZELAWN has any authority to bind PRIZELAWN to any affirmation, representation or warranty concerning the Product and any affirmation, representation or warranty made by any agent, employee or representative shall not be enforceable by Purchaser.

THIS WARRANTY EXTENDS ONLY TO THE ORIGINAL PURCHASER AND IS EXPRESSLY IN LIEU OF ANY OTHER EXPRESS OR IMPLIED WARRANTIES, INCLUDING WITHOUT LIMITATION ANY IMPLIED WARRANTY OR MERCHANTABILITY OR FITNESS OR INTENDED USE FOR A PARTICULAR PURPOSE AND OF ANY OTHER OBLIGATION ON THE PART OF PRIZELAWN.

PRIZELAWN SHALL NOT BE LIABLE FOR ANY INCIDENTAL, SPECIAL OR CONSEQUENTIAL LOSS, DAMAGE OR EXPENSE DIRECTLY OR INDIRECTLY ARISING FROM THE USE OF ANY OF THE PRODUCT INCLUDING, BUT NOT LIMITED TO, DAMAGE OR LOSS OF OTHER PROPERTY OR EQUIPMENT, LOSS OF PROFITS OR REVENUE, COST OF CAPITAL, COST OF PURCHASED OR REPLACEMENT GOODS, OR CLAIMS OF CUSTOMERS OF PURCHASER.

APPLICATION RATE

Knowing the effective pattern width (for example, 10 feet), measure a distance equal to 100 square feet (10' x 10' swath width). Determine the product coverage in pounds / 100 sq. ft. by taking the weight of the product and dividing it by the recommended square foot coverage (add two zeroes to the weight of the bag).

EXAMPLE:

Product weight: 25 lbs.
 Sq. ft. coverage: 5,000 sq. ft.
 2500 lbs. ÷ 5,000 sq. ft.
 = .5 lbs. / 100 sq. ft.


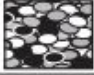
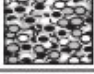


Weigh 15 to 20lbs. of material and spread over the 100 sq. ft. area. Weigh remaining material left in hopper and adjust rate setting as required. Repeat test until application rate is correct.

RATE SETTING CONVERSION

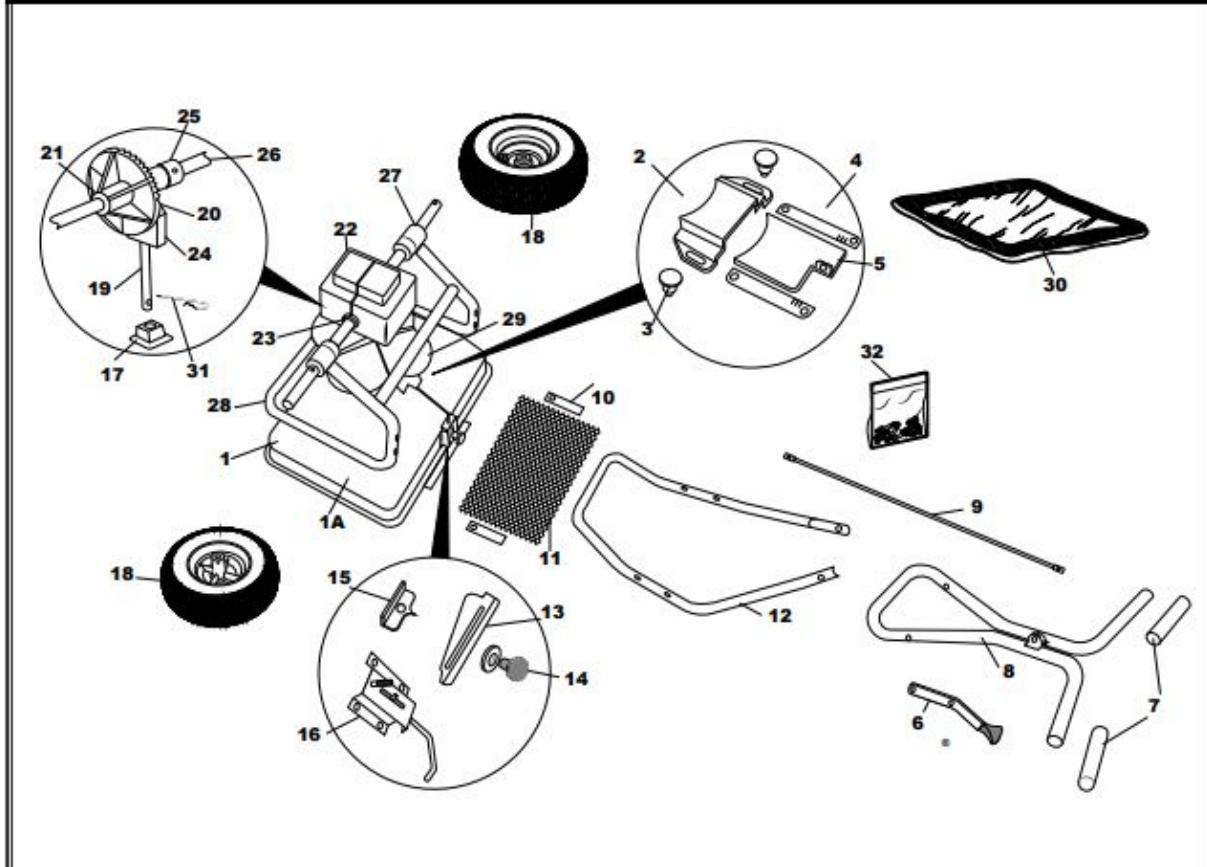
The following provides approximate **Prizelawn® CBR iv/ CBR ivss** settings for those units listed.

| | | | | | | | | | | | | | | | | | | | | | | | | | | |
|--|---|---|---|---|-----|----|---|-----|---|---|----|-----|---|-----|---|-----|---|---|-----|----|----|----|----|----|----|----|
| Prizelawn® BF1/BF1ss | A | B | C | D | E | F | G | H | I | J | K | L | M | N | O | P | Q | R | S | T | U | V | W | X | Y | Z |
| Prizelawn® CBR iv | — | B | C | D | E | F | G | H | I | J | K | L | M | N | O | P | Q | R | S | T | U | V | W | X | Y | Z |
| Prizelawn® CBR ii | — | — | 2 | — | 2.5 | — | 3 | 3.5 | — | 4 | — | 4.5 | 5 | 5.5 | 6 | 6.5 | 7 | 8 | 9.5 | 10 | 11 | 12 | 13 | 14 | 15 | — |
| LESCO #029600 | — | — | B | C | D | — | E | F | — | G | H | I | — | J | K | L | — | M | N | O | — | P | Q | R | — | S |
| The Andersons <small>AP/SR2000</small> | C | D | E | F | G | H | I | J | K | L | M | N | O | P | Q | R | S | T | U | — | V | W | — | X | Y | Z |
| EarthWay <small>EV-N-SPRED</small> | — | 5 | — | — | — | 10 | — | — | — | — | 15 | — | — | — | — | 20 | — | — | — | — | 25 | — | — | — | — | 30 |
| Spyker 76/78-2 | — | — | 3 | — | — | — | 4 | — | — | 5 | — | — | 6 | — | — | 7 | — | — | 8 | — | — | — | 9 | — | — | 10 |
| Scotts Speedy Green | — | — | — | — | 2 | — | — | 3 | 4 | — | 5 | 5 | 6 | 6 | — | 6.5 | — | 7 | — | 8 | — | 8 | — | 9 | — | 9 |

The following provides approximate **Prizelawn® CBR iv/ CBR ivss** settings when only the product weight, square foot coverage, and visual inspection of the material is available.

| FERTILIZER | | BAG RATE Pounds of fertilizer used per 1,000 sq. ft. of coverage | APPROXIMATE SETTING | SPREAD WIDTH (IN FEET) |
|------------------------------------|---|--|------------------------|------------------------------|
| Large, heavy particles |  | 5 | M | 8 |
| | | 10 | O | 8 |
| | | 15 | Q | 8 |
| Medium, mixed particles |  | 5 | L | 8 |
| | | 10 | N | 8 |
| | | 15 | O | 8 |
| Small particles (Nitrogen) |  | 1 | G | 8 |
| | | 2 | J | 8 |
| | | 3 | L | 8 |
| Mixed size particles Some fines |  | 5 | M | 6 |
| | | 10 | O | 6 |
| | | 15 | P | 6 |
| Lightweight particles |  | 5 | J | 4 |
| | | 10 | L | To |
| | | 15 | O | 6 |

PARTS LIST for CBR IV & CBR IVSS

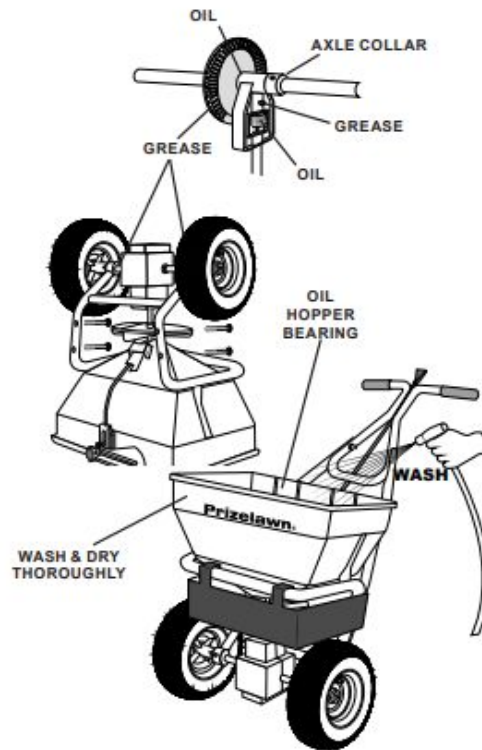


| KEY # | DESCRIPTION | CBRIV | CBRIVSS | KEY# | DESCRIPTION | CBRIV | CBRIVSS |
|-------|--|-----------|--------------|------|----------------------------|-----------|----------|
| 1 | HOPPER ASSEMBLY | P15519 | P15519 | 17 | IMPELLOR SHAFT BEARING | P14312-1 | P14312-1 |
| 1A | HOPPER* | P14604-09 | P1604-09 | 18 | DRIVE & FREE WHEEL | P790120W | P790120W |
| 2 & 4 | DISHCHARGE *CHUTE&SHUTOFF PLATE GUIDES | P15144-01 | P15144-01 | 19 | IMPELLER SHAFT | P15641 | P15641 |
| 3 | DISCHARGE CHUTE KNOB (2) | P14001 | P14001 | 20 | PINION GEART | P14833 | P14833 |
| 5 | SHUT-OFF PLATE* | P13353 | P13353 | 21 | AXLE GEAR | P14832 | P14832 |
| 6 | HANDLE LEVER ASS'BLY | P15513-04 | P15513-04 | 22 | GEAR COVER (2) | P14837 | |
| 7 | HANDLE GRIP (2) | P14870 | P14870 | 23 | GEAR COVER CLAMPS (2) | P14837 | P14837 |
| 8 | UPPER HANDLE | P15497 | P15498 | 24 | GEAR SUPPORT | P14834 | P14834 |
| 9 | CONTROL TUBE | 79064 | 79064 | 25 | AXLE COLLAR W/SET SCREW | P14971-1 | P14971-1 |
| 10 | SCREEN CLIPS (2) | P14022 | P14022 | 26 | AXLE | P15518 | P15518 |
| 11 | HOPPER SCREEN | P14603 | P14603 | 27 | AXLE BEARING (4) | P16412 | P16412 |
| 12 | HANDLE BRACE | P15507-01 | P155508-J131 | 28 | FRAME ASSEMBLY | P15516-01 | P15517 |
| 13 | RATE PLATE* | P15521-04 | P15521-04 | 29 | IMPELLER | P14625 | |
| 14 | RATE CONTROL KNOB* | P12704-04 | 12704-04 | 30 | HOPPER COVER | 77003 | 77003 |
| 15 | POINTER* | P12708-04 | P12708-04 | 31 | AGITATOR | 33117 | 33117 |
| 16 | SPRING HOUSING ASSEMBLY* | P15527-04 | P15527-04 | 32 | FASTENER PACKAGE | P15579 | P15579 |

*PARTS INCLUDED IN
HOPPER ASSEMBLY

MAINTENANCE

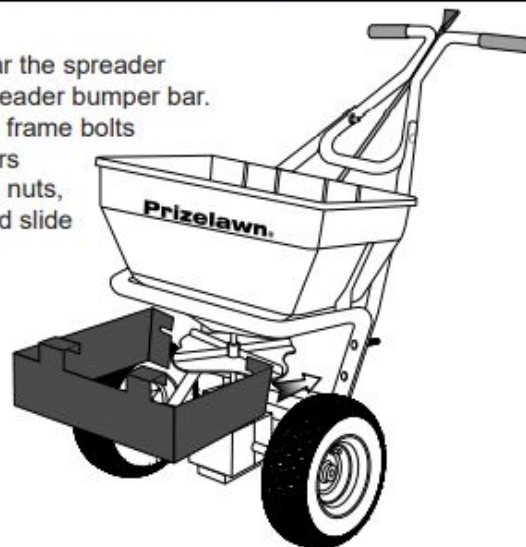
1. Never store material in spreader. Return unused product to its original container.
2. Wash spreader thoroughly after each use and dry completely in the sun or heated area.
3. Grease axle bearings on the frame. Oil the impeller shaft bearing in hopper, pivot points on the shut-off linkage and the spring in the housing under the rate plate.
4. Remove the gear cover and wash gears thoroughly and oil all bearing areas as shown. Re-install gear cover.
5. Gear mesh should be checked on a regular basis during high use periods. Clearance between the axle gear and pinion gear should be minimal but not tight. If adjustment is necessary, loosen axle collar set screw and hold the gears together. Slide the axle collar against gear support and tighten axle collar set screw. Spin drive wheel. Gears should run freely and smoothly.
6. Impeller surface should be cleaned periodically to remove build-up of product. Build-up can cause the spread pattern to change.
7. Tire pressure should be 20-25 PSI



OPTIONAL ACCESSORIES for CBR-IV & CBR-IVSS

P15972 Deflector Shield Installation

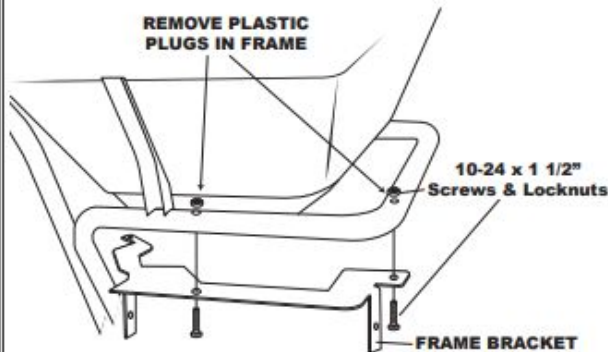
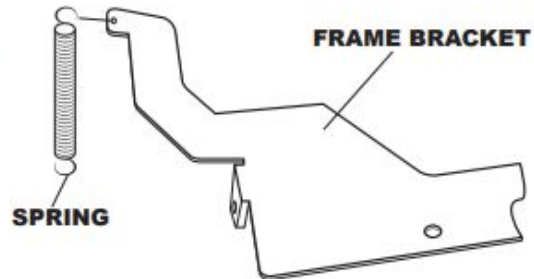
Hold the ends of the deflector open slightly to clear the spreader frame in the back. Hang the deflector onto the spreader bumper bar. Align the slots in the back of deflector with the top frame bolts and secure both sides of the deflector with washers and wing nuts. To remove, simply loosen the wing nuts, spread the deflector slightly to clear the frame, and slide the deflector off. Retighten wing nuts.



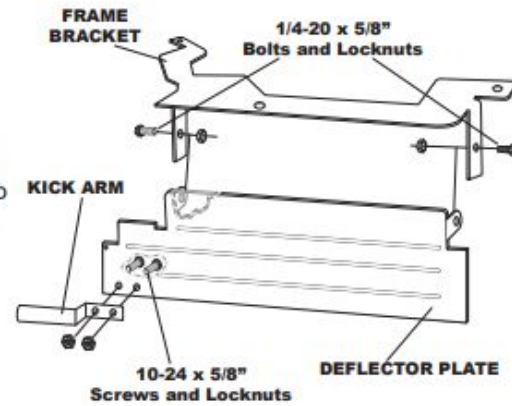
OPTIONAL SIDE DEFLECTOR KIT #P15681

ASSEMBLY INSTRUCTIONS

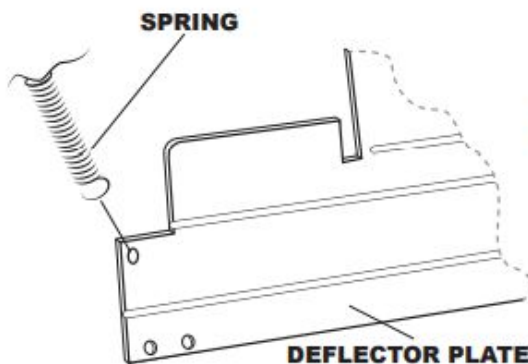
1. Remove components from carton. Insert either end of the spring into the hole in the frame bracket as shown. Needle nose pliers are recommended to ease installation.



2. Remove the two plastic plugs in the frame. Install the frame bracket on to the frame as shown using (2) #10-24 x 1 1/2" hex bolts and locknuts. Tighten nuts securely.



3. Install deflector plate onto the frame bracket as shown using (2) 1/4-20 hex bolts and locknuts. Tighten nuts and then loosen nuts just enough to allow the deflector plate to swing freely. Attach kick arm to deflector as shown using (2) #10-24 x 5/8" screws and locknuts.

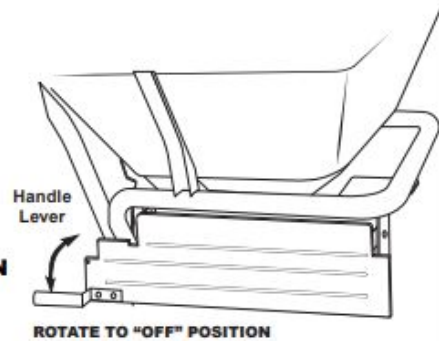
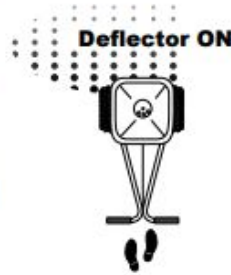


4. Finish assembly by attaching the opposite end of the spring in the hole on the deflector plate as shown.

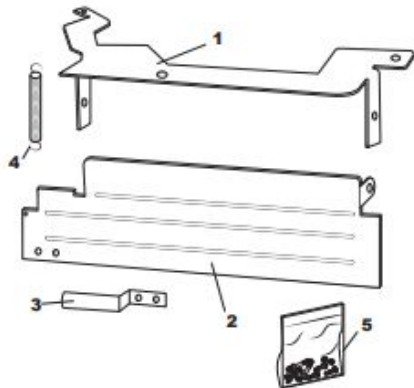
OPERATION

The deflector can be placed in two positions. The **ON** position (down) or the **OFF** position (up). To operate, simply rotate the deflector plate downward to the **ON** position using the kick plate. The spring will automatically pull the plate down and hold it. Reverse the procedure to position the deflector plate in the **OFF** position (up).

In the **ON** position, the material exiting the right hand side of the spreader is deflected as shown. This allows the spreader to be butted up against a sidewalk, driveway, lot line, etc. minimizing the amount of material thrown into these areas.



SIDE DEFLECTOR KIT #P15681 PARTS LIST



| Key # | Part # | Description |
|-------|----------|-----------------|
| 1 | P15651 | Frame Bracket |
| 2 | P15652 | Deflector Plate |
| 3 | P15654 | Kick Plate |
| 4 | P15653-1 | Spring |
| 5 | P15686 | Fastener Pack |

Prizelawn.

1009 Maple Street
Bristol, Indiana 46507
ph: 800-294-0671 ~ Fax: 800-678-4868
www.prizelawnspreaders.com

P/N 15681

PART OF OUR SERVICE IS PROVIDING REPLACEMENT PARTS. Parts may be obtained through your local distributor. Be sure to give:

1. **SPREADER MODEL NUMBER**
2. **SPREADER NAME**
3. **PART NUMBER**
4. **NAME OF PART AS SHOWN**

Prizelawn.